

## BNR Gusset Kit 2012+ Can-Am G2 ATV's

This kit includes all the major gussets needed but tubing for the lower rails and rails behind the radiator. (since it would be costly to ship)

### Other parts needed

Lower Rails ( 2x 10ga square tubing 1.25"x1.25"x54.5")

We recommend welding the lower tubes in around the rear opening and also welding to the rear diff bolt (stock weld likes to brake at the lower rear diff bolt, our bolt on diff support helps support the diff so this doesn't happen.)

Vertical Rails behind Radiator ( 2x 1.0625" OD .125" wall thickness x 21.5"

We recommend welding the tubes on the top and bottom ends. Also drilling and plug welding around the power steering mount.

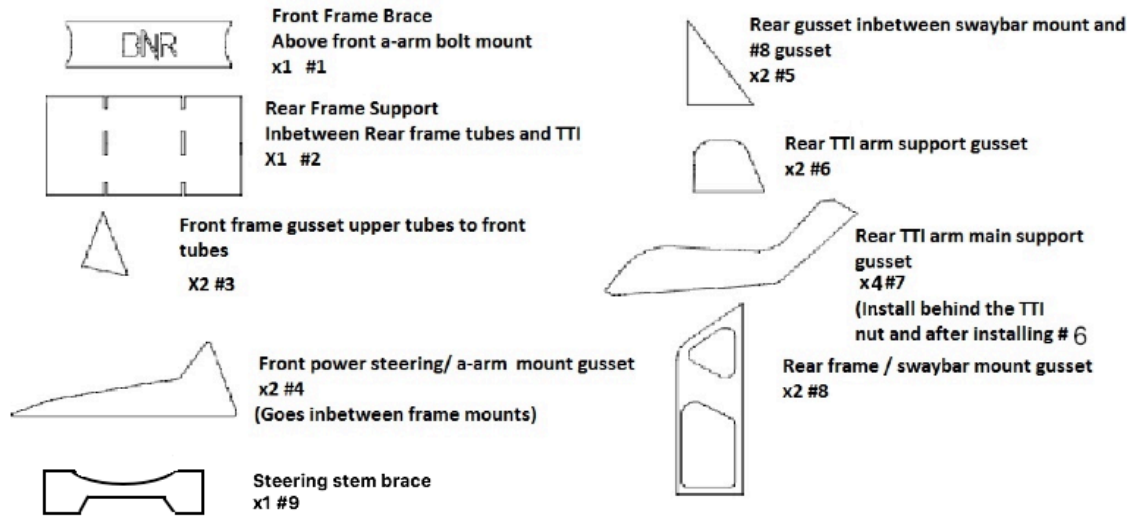
To install the whole kit, it is recommended to pull the DPS unit, disconnect ECU, disconnect battery, remove the gas tank, remove all plastics.

**Note-** if you use ricochet skid plates gusset #2 will interfere with the skid plate mount so you will have to modify your mounting or not use the gusset. BRP skid plates do not interfere.

Update – there is an extra gusset included now for the steering stem, this goes on the back side of the upper stem bushing to triangulate the mount. (sorry no pictures yet)



### G2 frame Gusset Kit BNR V1.0



Gusset #1 on angle to support the a-arm mounts and front vertical frame rails.



Gusset #2 between the tti uprights, behind rear foot supports.



Gusset #3 Supports upper frame rails with vertical front frame tubes.



Gusset #4 inside frame between dps unit.



Gusset #7 Now includes 4 pieces 2 for each side, install gusset #6 before installing #7 install the Gusset toward the front and rear of the tti bolt hole. Picture below only shows the rear most position.

